

Intelligent EV Charger 7kW AC ICSH7D



The ICSH7D is suitable for home charging.

Designed with the installer in mind, installation time is extremely quick, on average only 30 minutes.

7.2kW fast AC charging.

Up to 30 miles charging range per hour.

Single phase 230VAC.

No earth rod required (on TN-C-S PME system).

True OCPP 1.6J protocols.

Automatic minor fault recovery with configurable manual reset for RCD & Earth fault.

All in one solution.

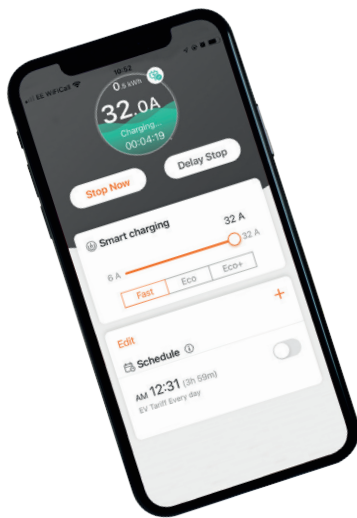
iCS2.0Lite included for smart phone configuration and app control.

Built-in load management.

Wi-Fi and Bluetooth Connectivity

Built-in Residual Current Detection, 30mA Type A to IEC61008 and 6mA DC RDC-DD device to IEC62955.

Compatible with Solar & Battery Storage.



Home



No Earth Rod



Smartphone
App



7KW



iCS2.0
Lite



Warranty 5
years



Connect with iCS

The only link you'll need
for tech support, socials and lots more!
@icsintelligentchargingsystems

Office
for Zero
Emission
Vehicles



Intelligent EV Charger 7kW AC ICSH7D

Specification	
Power Input	
Input Rating	230VAC + 20%, 32A
Frequency	50/60Hz
Standby Power	<5w
Power Output	
Output Rating	Single phase 7.2kw, 32A
Protection	
Over Current protection	Power output is terminated upon detection of overcurrent 10%
Internal Residual Current Detection	Integral Type A RCD with 6mA RDC-DD
Output Protection	Power output is terminated upon detection of charging connector plug-out
Electrical Protection	Over current, short circuit, over voltage, under voltage, ground fault, lightning surge, over temperature protection
Energy Meter	Meter IC
PEN Fault Monitoring	
PME	PME earth fault monitoring compliant with BS7671 regulation 722.411.4.1
Function & User Interface	
Status Indicators	User Customizable
User Authentication	App control
Buttons/Switches	Configurable physical button
Network Interface	Dual band 2.4G & 5G WiFi internet connection, hot spot mode, bluetooth
Charging protocol	Mode 3
Environment	
Operating temperature	-30°C to 50°C
Humidity	5% - 95% without condensation
Ingress Protection	IP55

** RFID cards compatible for Offline & iCS2.0Lite use only, for subscription use, RFID cards to be purchased from iCS.



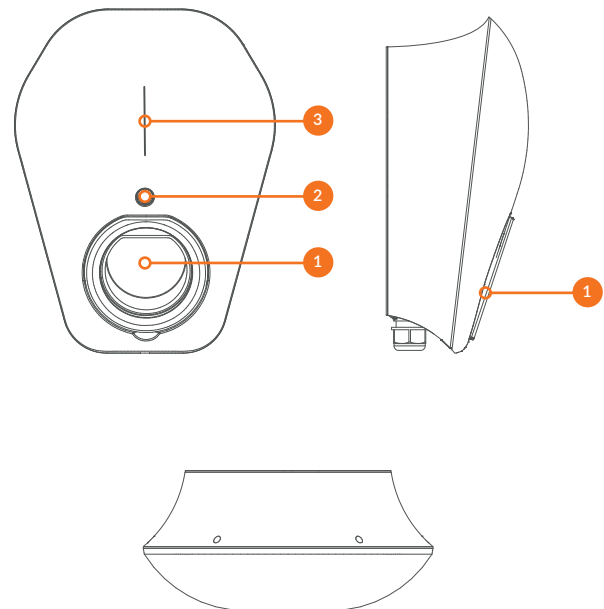
Connect with iCS
The only link you'll need
for tech support, socials and lots more!
@icsintelligentchargingsystems

Email: info@intelligentchargingsystems.co.uk

www.intelligentchargingsystems.co.uk

iCS_ICSH7D_Data_Sheet_Rev03

Specification	
Mechanical	
Charging Interface	Type 2 socket (IEC 62196)
Mounting Type	Wall
Dimension (W x H x D)	208mm x 288mm x 128mm
Regulation & Certification	
Certificate	CE, IEC61851-1
OCPP	Full OCPP 1.6J support
Accessories	
EV Charging Cables	ICSL5 and ICSL10 (5m + 10m)



No	Item
1	Charging Socket
2	Configurable Button
3	LED Indication